

SUBWOOFER

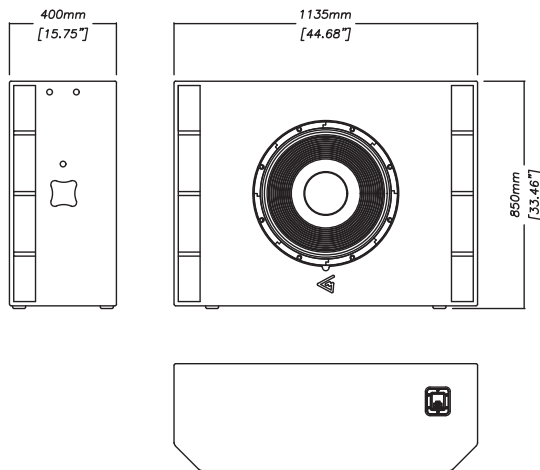
Series



SB21

SUBWOOFER

SB21 is a high-performing subwoofer created specifically to deliver a powerful immersive cinema experience into your home theater. This highly sensitive 21" subwoofer is only 400mm (15 3/4 inches) deep, conveniently saving so much-needed space behind the screen area. Large vents are located on both sides of the cabinet, reducing the turbulence noises and preventing any screen movement by the airflow.



CONNECTIONS

Use a Hi-pass filter to prevent speaker damage and distorted sound by eliminating low non-audible frequencies in the input signal.

Do not exceed the input powers, abovementioned in the specifications, while exploiting the speaker system.

The speaker system comes with phoenix terminals for connection to the amplifier.

SAFETY INSTRUCTIONS

1. Do not pour liquids on the speaker system - this may cause driver cone destruction and an unappealing speaker appearance. Do not allow direct sunlight on the speaker cone - this will reduce its resource dramatically. For fire safety do not install the speaker system near open flames or heating elements.
2. Do not use the speaker system with the damaged connector or speaker cable - this is an electric shock hazard and fire hazard.
3. Make sure the speaker system is firmly set up on the ceiling, stage, or wall (where applicable).
4. While setting the speaker system up on a slope or slippery surface, make necessary arrangements to avoid its movement due to its vibration.
5. This loudspeaker system is capable of delivering a significant sound pressure level. To avoid permanent or temporary hearing damage or loss, prolonged exposure to sound pressure levels exceeding values over 90 dB should be limited.

SPECIFICATIONS

Frequency response (± 3 dB)	31 - 150 Hz
Frequency range (-10 dB)	28 - 300 Hz
Max continuous SPL ²	131 dB
Sensitivity (1W/1m half-space) ¹	99 dB
Low-frequency woofer	21-inch (4,5-inch voice coil) ridged glass-fiber reinforced enclosure
Nominal impedance	4 Ohm / 8 Ohm
Power rating ³	1600 W
Connectors	Phoenix terminals
Mounting	4x M10 mounting points 2x M10 safety points
Dimension (WxHxD)	1135x850x400 mm
Net weight	70,0 kg

¹ - dB SPL, IEC 60268-5 pink noise, 1W / 1m, half- and free- space
² - dB SPL RMS, IEC 60268-5 pink noise, measured on nominal power
³ - 2 hour power test, IEC filtered noise, 6 dB crest factor